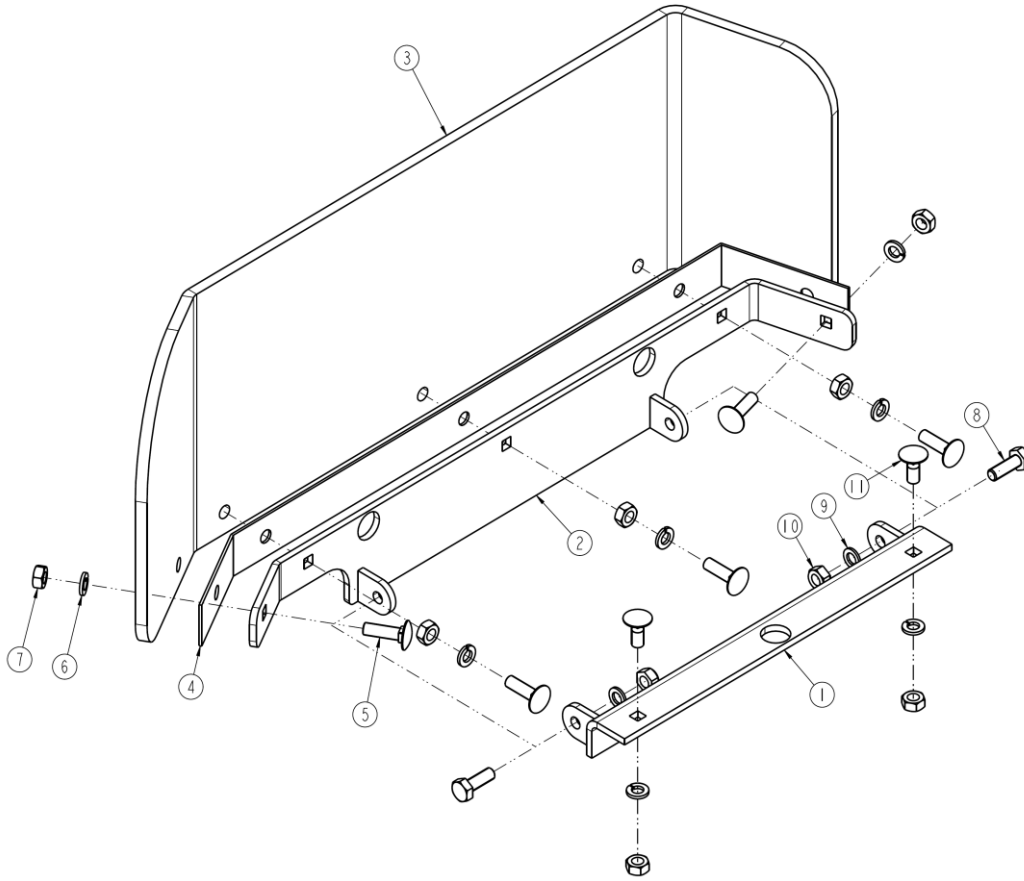


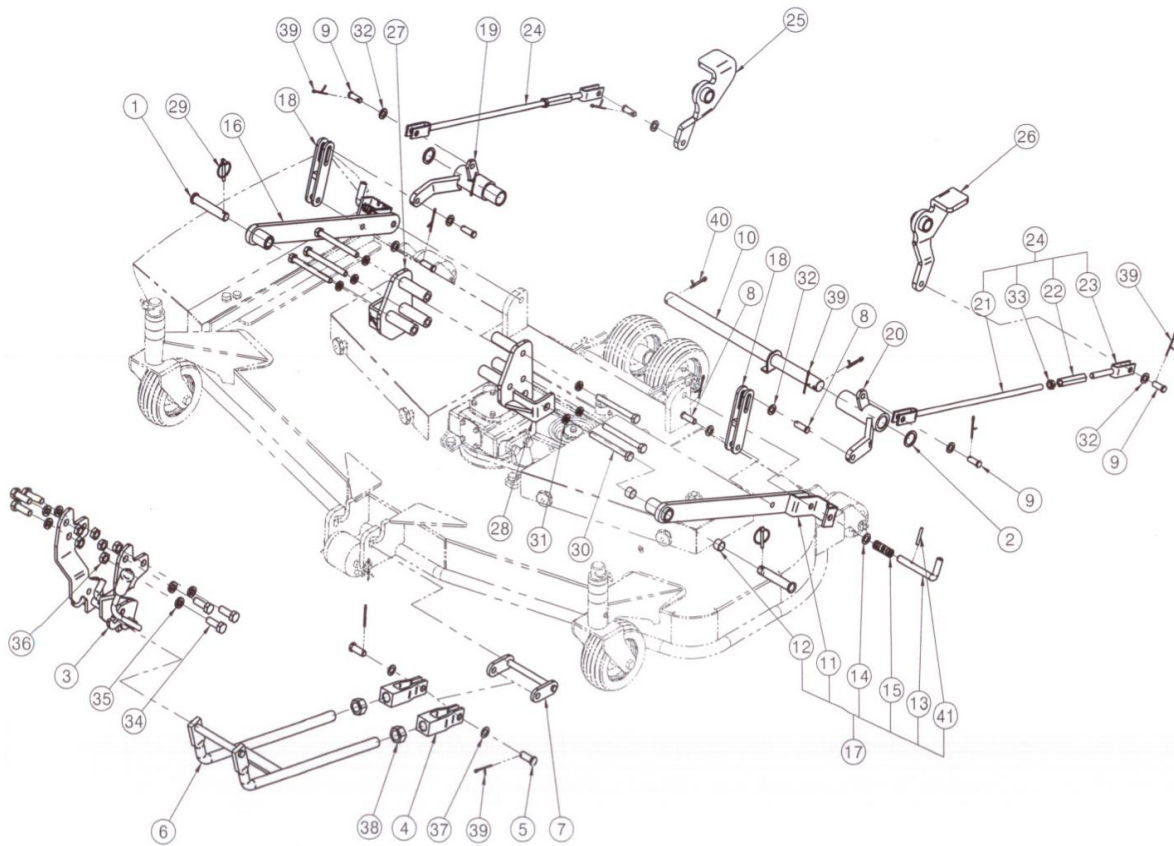
## FRAME ASSY

MW60-AF100A					
NO.	Part Number	Part Name	Description	Q'ty	REMARK
1	MW60-FR500B	FRAME ASS'Y		1	
2	MW60-CV001B	BELT COVER, RH	1.6 t	1	
3	MW60-CV002B	BELT COVER, LH	1.6 t	1	
4	MW60-FR400B	SHUTTER ASSY	M8	1	
5	WS08M	SPRING WASHER	M8	8	
6	MW60-FR1090	KNOB		8	



## SHUTTER ASSY

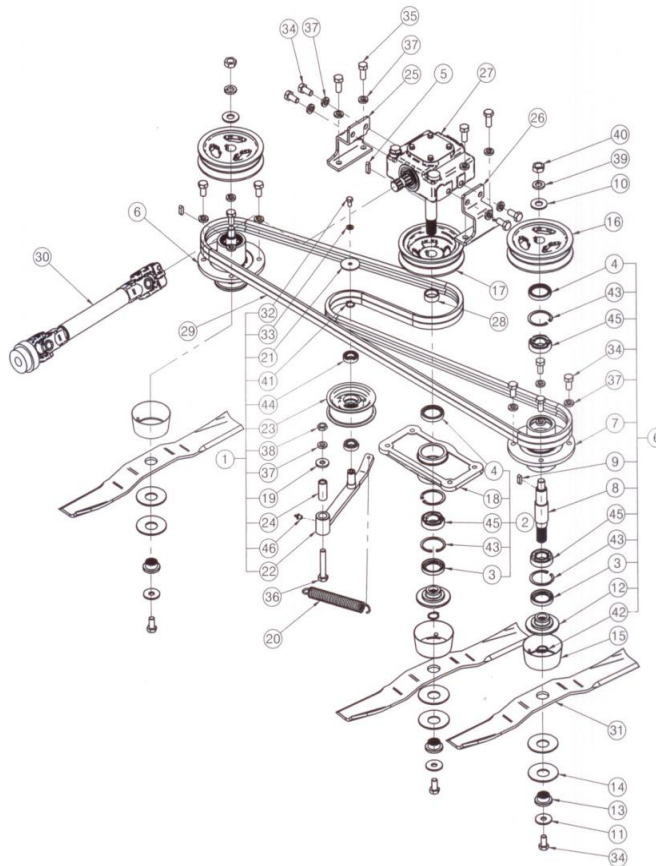
MW60-FR400B					
NO.	Part Number	Part Name	Description	Q'ty	REMARK
1	MW60-FR410B	HINGE BRACKET ASSY		1	
2	MW60-FR420B	BRACKET ASSY		1	
3	MW60-FR401B	BRACKET	10t	1	
4	MW60-FR402B	BRACKET	2.3t	1	
5	BR1077150X	BOLT	M10x35L	5	
6	WS10M	SPRING WASHER	M10	7	
7	NH10150Z	NUT	M10	7	
8	BH1066150Z	BOLT	M10x30L	2	
9	WP10M	PALAIN WASHER	M10	2	
10	NL10150Z	LOCK NUT	M10	2	
11	BR1054150X	BOLT	M10x25L	2	



## LINKAGE ASSY

MW60-AL100A					
NO.	Part Number	Part Name	Description	Q'ty	REMARK
1	2100-LK0010	PIN	Ø19x105	2	
2	2100-LK0030	WASHER	2.4 t	2	
3	2100-LK1000	BRACKET ASSY, FRT		1	
4	2100-LK2040	CLAVIS	-	2	
5	2100-LK2070	CLAVIS PIN	Ø14x45	2	
6	2100-LK2910	HANGER		1	
7	2100-LK2920	BRACKET		1	
8	2100-LK3010	CLAVIS PIN	12x35L	4	
9	2100-LK3020	CLAVIS PIN	12x30L	4	
10	2100-LK310A	SHAFT ASSY		1	
11	2100-LK5200	LIFT ARM LH.		1	
13	2100-LK3250	LEVER	Ø14	1	
14	2100-LK3270	PLATE	1.6 t	1	
15	2100-LK3260	SPRING	1.6xØ19x65L	1	
16	2100-LK330C	LIFT ARM ASSY RH.		1	
17	2100-LK5300	LIFT ARM ASSY LH.		1	
18	2100-LK3400	LINK		2	
19	2100-LK350A	LEVER ASSY, RH		1	
20	2100-LK360A	LEVER ASSY, LH		1	
21	2100-LK3700	ROD ASSY (L)		1	

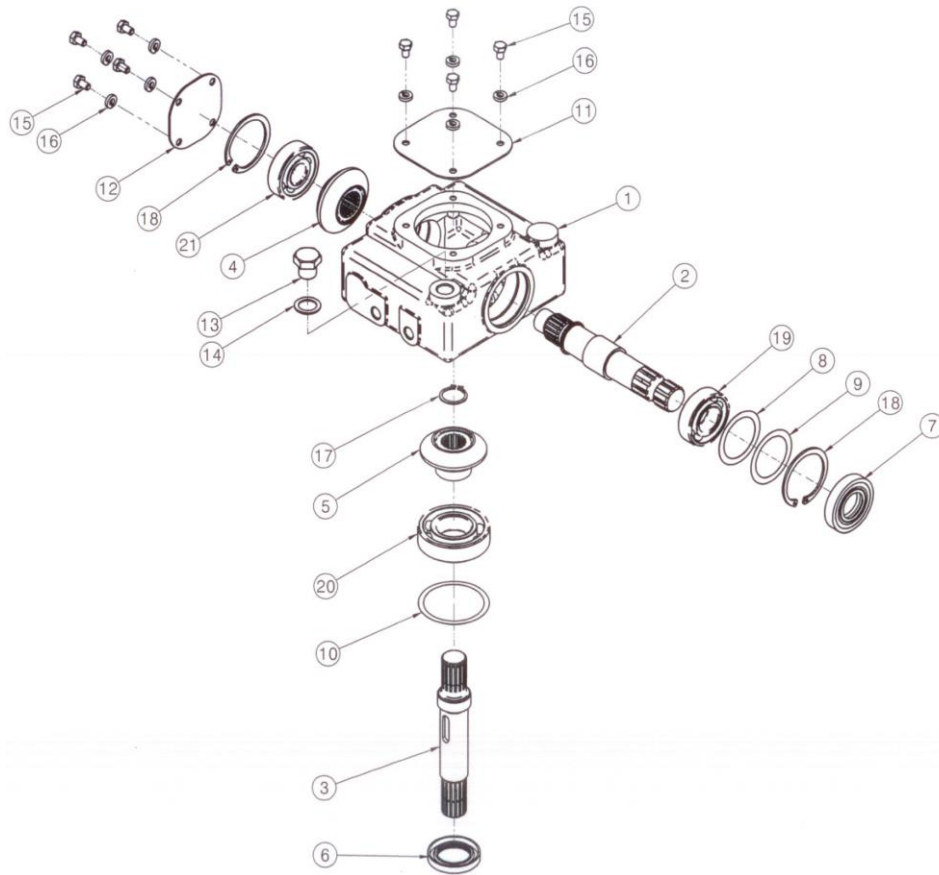
22	2100-LK3740	ADJUST NUT	M12x1.25(R,L)	1	
23	2100-LK3800	ROD ASSY (S)		1	
24	2100-LK4100	ADJUST ROD ASSY		1	
25	2100-LK4300	ARM ASST, RH		1	
26	2100-LK420A	ARM ASST, LH		1	
27	2100-LK560A	BRACKET ASSY, RH		1	
28	2100-LK570A	BRACKET ASSY, LH		1	
29	AL 20-98-9990	LINK PIN		2	
30	BH1207175Z	BOLT(10.9T)	M12x120L	6	
31	WS12M	SPRING WASHER	M12	6	
32	WP12M	PLAIN WASHER	M12	8	
33	NH12125Z	NUT	M12x1.25P	1	
34	BH1488200Z	BOLT(10.9T)	M14x40L	6	
35	WS14M	SPRING WASHER	M14	6	
36	NH14200Z	NUT	M14	6	
37	WP14M	PLAIN WASHER	M14	2	
38	NH22150Z	NUT	M22x1.5P	2	
39	PD03025	SPLIT PIN	Ø3x25L	10	
40	PD05040	SPLIT PIN	Ø5x40L	2	
41	PS06025	SPRING PIN	Ø6x40L	1	



## POWER LINE

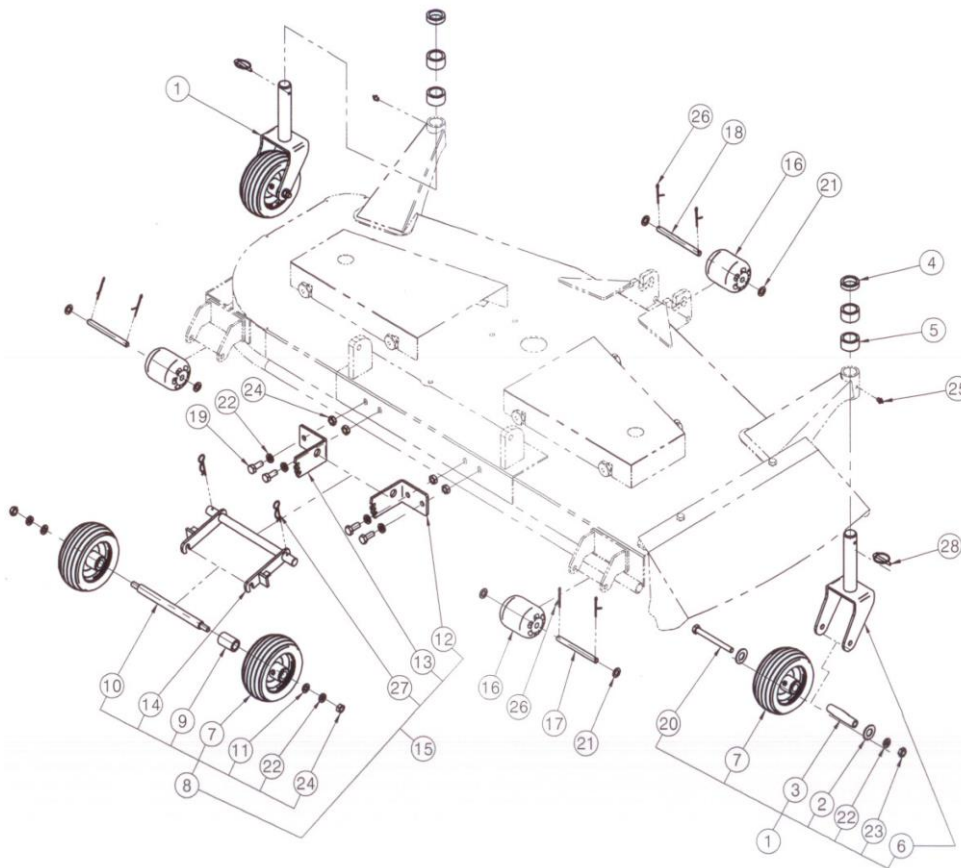
MW60-AP100A

NO.	Part Number	Part Name	Description	Q'ty	REMARK
1	MW60-TS0000	TENSION ASS'Y		1	
2	MW60-SP1000	SPINDLE, MID ASS'Y		1	
3	MW60-SP1020	OIL SEAL	Ø35xØ52x8 t	2	
4	MW60-SP1030	OIL SEAL	Ø40xØ52x8 t	2	
5	MW60-SP1040	KEY	7x7x28L	1	
6	MW60-SP2000	SPINDLE ASS'Y		1	
7	MW60-SP2010	HUB, RH		1	
8	MW60-SP2020	SPINDLE, RH	Ø30	1	
9	MW60-SP2030	KEY	7x7x22L	2	
10	MW60-SP2040	WASHER	Ø38xØ17x3.2 t	2	
11	MW60-SP2050	WASHER	Ø38xØ13x3.2 t	3	
12	MW60-SP5010	ADAPTER	Z=16	2	
13	MW60-SP5020	ADAPTER	Z=16	3	
14	MW60-SP5030	WASHER	3 t	6	
15	MW60-SP5040	BAFFLE	1 t	3	
16	MW60-SP6010	PULLEY, RH		2	
17	MW60-SP6020	PULLEY, MID		1	
18	MW60-SP1010	SPINDLE, MID		1	
19	MW60-TS0010	SPACER	4 t	1	
20	MW60-TS0020	SPRING	Ø3.2xØ21	1	
21	MW60-TS0120	COVER	2.3 t	1	
22	MW60-TS1000	TENSION BRACKET		1	
23	MW60-TS2010	PULLEY-TENSION		1	
24	MW60-FR0090	SPACER	Ø19	1	
25	MW60-FR3010	SUPPORT, LH	6 t	1	
26	MW60-FR3020	SUPPORT, RH	6 t	1	
27	MW60-GB000A	GEAR BOX ASS'Y		1	
28	MW60-GB0150	SPACER	Ø33.4x3.5 t	1	
29	MW60-VB0010	V-BELT	A Ø, 119"	2	
30	J310-000A	JOINT ASSY		1	
31	MW60-BL0010	BLADE	6 t	3	
32	BH0833125X	BOLT	M8x15L	1	
33	WS08M	SPRING WASHER	M8	1	
34	BH1255125Z	BOLT(10.9T)	M12x1.25x25L	15	
35	BH1266125Z	BOLT(10.9T)	M12x30Lx1.25P	4	
36	BH12E6125Z	BOLT(10.9T)	M12x70Lx1.25P	1	
37	WS12M	SPRING WASHER	M12	17	
38	NH12125Z	NUT	M12x1.25P	1	
39	WS16M	SPRING WASHER	M16	2	
40	NH16150Z	NUT	M16x1.5P	2	
41	SN17N	SNAP RING	Ø17-M	1	
42	SN22M	SNAP RING	Ø22-M	2	
43	SN52F	SNAP RING	Ø52-F	4	
44	6003	BALL BEARING	6003ZZ	2	
45	6205ZZ	BALL BEARING	6205ZZ	3	
46	GN08M	GREASE NIPPLE	M8	1	



## GEAR BOX

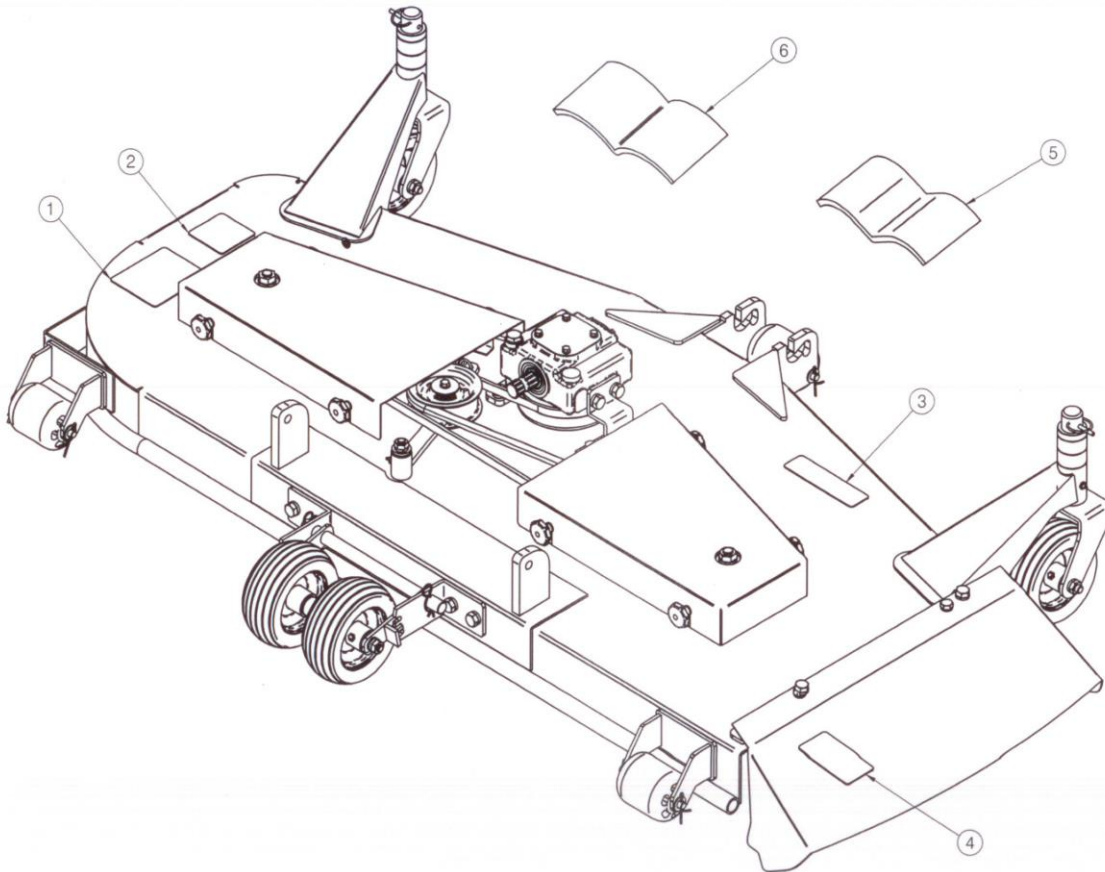
MW60-GB000A					
NO.	Part Number	Part Name	Description	Q'ty	REMARK
1	MW60-GB001A	CASE		1	
2	MW60-GB0020	INPUT SHAFT	Ø30	1	
3	MW60-GB003A	OUTPUT SHAFT	Ø30	1	
4	MW60-GB0040	DRIVE GEAR	Z=18	1	
5	MW60-GB0050	DRIVEN GEAR	Z=17	1	
6	MW60-GB0060	OIL SEAL	Ø30xØ47x7 t	1	
7	MW60-GB0070	OIL SEAL	Ø25xØ52x10 t	1	
8	MW60-GB0080	SHIM	0.3 t	1	
9	MW60-GB0090	SHIM	0.2 t	1	
10	MW60-GB0100	SHIM	0.1 t	1	
11	MW60-GB013A	COVER	1.6 t	1	
12	MW60-GB014A	COVER	1.6 t	1	
13	MW60-GB0160	BREATHER PLUG	M16	1	
14	MW60-GB0170	PACKING	1.2 t	1	
15	SN52F	SNAP RING	M6x10L	2	
16	SN22M	SNAP RING	M6	1	
17	BH0622100X	BOLT(10.9T)	Ø22-M	8	
18	WS06M	SPRING WASHER	Ø52-F	8	
19	6304ZZ	BALL BEARING	6205ZZ	1	
20	62/32ZZ	BALL BEARING	62/32ZZ	1	
21	6205ZZ	BALL BEARING	6304ZZ	1	



## WHEEL

MW60-AW100A					
NO.	Part Number	Part Name	Description	Q'ty	REMARK
1	MW60-CS0000	CASTER ASS'Y		1	
2	MW60-CS0040	SPACER	2.3 t	2	
3	MW60-CS0050	SHAFT	Ø20x90L	1	
4	MW60-CS0060	COLLAR	Ø45xØ32.5x12L	2	
5	MW60-CS0070	COLLAR	Ø45xØ32.5x25L	4	
6	MW60-CS030A	FORK ASS'Y		1	
7	MW60-CS1000	TIRE ASS'Y		3	
8	MW60-CS6000	REAR WHEEL ASSY		1	
9	MW60-CS511A	SPACER	Ø30xØ20x48L	1	
10	MW60-CS5120	SHAFT	Ø19x265L	1	
11	MW60-CS5130	WASHER	3.2 t	2	
12	MW60-CS5150	BRACKET, RH	6 t	1	
13	MW60-CS5160	BRACKET, LH	6 t	1	
14	MW60-CS5200	BRACKET ASSY		1	
15	MW60-CS500A	REAR WHEEL ASSY		1	
16	MW60-FR9020	ROLLER	Ø80x100L	3	
17	MW60-FR9030	SHAFT	Ø12x135L	2	
18	MW60-FR9040	SHAFT	Ø12x145L	1	
19	BH1266175Z	BOLT(10.9T)	M12x30L	4	

20	BH12O7125Z	BOLT(10.9T)	M12x120Lx1.25P	1	
21	WP12M	PLAIN WASHER	M12	6	
22	WS12M	SPRING WASHER	M12	7	
23	NH12125Z	NUT	M12x1.25P	1	
24	NH12125Z	NUT	M12	6	
25	GN08M	GREASE NIPPLE	M8	2	
26	PD03025	SPLIT PIN	Ø3x25L	6	
27	PR30045	R-PIN	Ø3	2	
28	AL 20-98-9990	LINK PIN		2	



## DECAL & MANUAL

MW60-DM0000					
NO.	Part Number	Part Name	Description	Q'ty	REMARK
1	08M01	DECAL		1	
2	08M02	DECAL		1	
3	08M03	DECAL		1	
4	08M04	DECAL		1	
5	M08M01	Operator's Manual		1	
6	BM08001	Part Manual		1	